



Ragchew

“The Voice of Branch 68”

March 2017

The North Canterbury Amateur Radio Club Inc.
PO Box 14, Woodend 7641



www.ncarcinc.weebly.com

Meetings are held at the Woodend Youth Centre, unless otherwise advised.



QTH

CLUB CALENDAR

Meetings start at 1930hrs, unless otherwise stated.

Host for March - ZL3QR

March 9 General Meeting - “10 GHz in Canterbury” by Simon ZL4PLM

Branch 01 Ashburton

March 13 Host - John ZL2AYQ (Meeting will be held in the Ashburton Aviation Museum)

Branch 05 Christchurch

March 1 “Tinkering with Antennas” by Mark ZL3JVX
16 Day Meeting @ 1300hrs

Branch 56 Christchurch West

March 8 Free & Easy
28 General Meeting

CARDS

March 15 General Meeting

Nets and Frequencies

Canterbury 2M SSB Net 144.200MHz every Tuesday from 2000hrs (vertical polarisation)

Canterbury 6M Net 3850 6M Repeater Thursdays from 2000hrs (vertical polarisation)

Canterbury Area Net 5625 Repeater, 2000hrs on Sundays

National Broadcast last Sunday of the month at 2000hrs on 3.900MHz, National System, 6975 and 705 Repeaters

*Secretary: Colin Rowe ZL3COL Phone 03 313 2303 Email: colingr@xtra.co.nz
Editor: Tony Buckland ZL3HAM Phone 03 312 5352 Email: zl3ham@scorch.co.nz*

WHALAN AND PARTNERS LTD, BAYLEYS, LICENSED UNDER THE REA ACT 2008.

Thanks to **BAYLEYS** for sponsoring
the photocopying of the newsletter.

Tel: 03 311 8020

President's Report

As I write this report I have just returned from our branch's effort in the Jock White field day . Ron ZL3RCK kindly allowed his property in Whiterock to be used for this event.

At this stage we have no formal score worked out, but as a rough guide we made over 500 QSO's for the weekend.

The setting up of the station went smoothly and apart from some unexplained noise on 40m, that went on for an hour then suddenly stopped, the weekend went without a hitch.

Grateful thanks to Aaron (Ron's son, who kept us feed and watered throughout the event).

Those attending were:

ZI3QR, ZI3OV, ZL3AL, ZI3RCK, ZL3HI & ZLDMC

We were also visited by a prospective ham and he was shown various points of an HF station.

All in all an enjoyable weekend operating radios in good company.

Next meeting don't miss Simon ZI4PLM talking about 10Ghz in Canterbury and other topics.

Keep Transmitting

73 Don ZL3DMC

AREC Report

Upcoming events

4/5 March Equestrian Endurance ride at Fairlie

Several club members will be heading to Fairlie for the weekend to assist with the safety comms for this event. This is a major event on their calendar and there will be a lot of entries for this.

11/12th March

Sarex in the Mount Somers area. Another weekend event.

If any members are keen on getting involved in AREC please get in touch with me either privately or at a club meeting.

Don MacDonald ZL3DMC/ZK9EG

Forest Rural Fire: (AREC supplied Comms / Logistics to Forestry Fire Teams).

Sat. 4/2/17. Fire in stand of trees within fire boundary of Eyrewell Forest. One forestry unit called to assist, but stood down while en route.

Wed. 15/2/17. Late night call for two Forestry units to assist at the Port Hills fires.

Geoff ZL3QR
Dep. S/L.

Repeater Reports

Mt. Noble 6975



Usual story, maintaining itself with little or no human intervention.

Mike ZL3AKZ

Mt. Grey 675

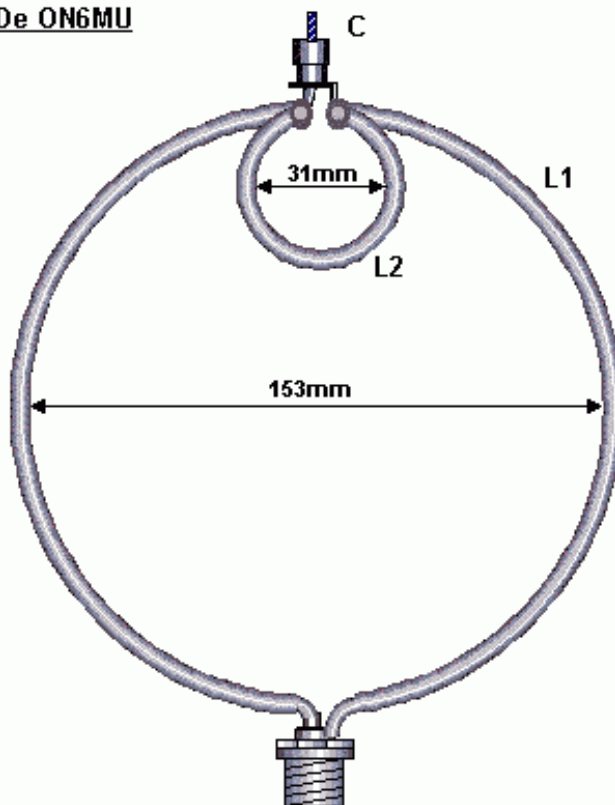
The repeater is working well with no known issues.



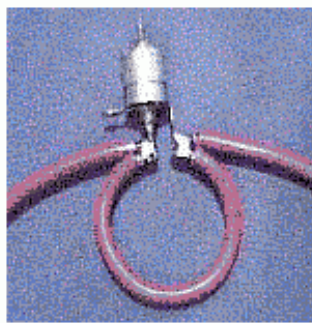
Geoff ZL3QR

VHF Magnetic Loop RE-A144L14P

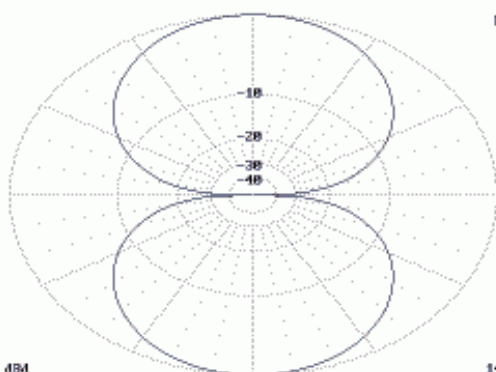
De ON6MU



C = air- or vacume capacitor of 0...20pF
 L1 = 1/4 wave: for 145MHz use a copper or brass wire with a length of 49cm and at least 3mm in diameter.
 L2 = is 1/5 of the length of L1: for 145MHz use the same material as L1 and has a length of 9.5cm



A magnetic loop has a very small bandwidth but unsensitive to man made noise. It is much smaller then a conventional antenna for the same frequency and has a gain that can be compared to a quarter wave antenna even if the loop is mounted a meter from the ground. All in theory ofcourse. It has a bi-directional radiation pattern like a dipole and is very selective. This means that you need to tune the antenna using 'C' about every 0.5Mc on VHF for maximum reception and 1:1 SWR. Ideal for portable use or as a repeater antenna. 'C' has to be an air- or vacume capacitor because of the high voltages that can occure on the capacitor when transmitting! I tested the antenna using my VHF portable in my garden and the loop had about the same results as my quarter wave mounted 6 meters higher. The 'Q' of the loop depends on the quality of the material, size and 'C'.



Free Space

Note: maximum power depends on the capacitor used. In this example the maximum power is around 10watt
 Tune 'C' very carefully until SWR is 1:1. A few pF over or under and you'll get a high SWR. Don't tune the capacitor while transmitting!
 Can be tuned in any part of the entire VHF band.

<http://www.qsl.net/on6mu>

*****Wanted!*****

A new “Ragchew” Editor

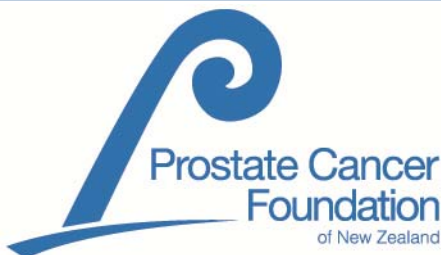
No salary, just satisfaction!

Contact Tony ZL3HAM

03 312 5352

zl3ham@scorch.co.nz

*Man Up &
Get Checked!*



PHONE 0800 477 678

EMAIL info@prostate.org.nz

WEB www.prostate.org.nz

March Meeting

Chris Hellyar ZL3LF kindly stood in at our February meeting as Simon ZL4PLM was unavailable. Chris gave us an informative insight into the splendid work he is doing in updating the NZART web page, it's not an easy task. Thanks Chris.

This month Simon ZL4PLM will enlighten us on “10GHz in Canterbury” and possibly some info on SDR.



****March Happy Birthday's****

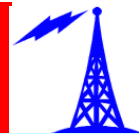
Liz ZL3LIZ
Emily ZL3WEM





COM-CENTRE (CE) Ltd

For All Your Amateur Radio Equipment



NZ's LARGEST DISTRIBUTOR of AMATEUR RADIO EQUIPMENT for over 20 YEARS

Yaesu's Latest Prestige HF Stations FT2000, > H/V/UHF Transceivers FT897 FT857 FT817 NEW DEDICATED HF Base Stns FT950 & FT450



FT857
H/V/UHF
100W
Mobile
Portable



Mobile - Base V/UHF FM Transceivers

FT1802 Latest VHF FM Deluxe Mobile
FT7800 Extended Cov V/UHF Mob/Base
FT8800 Deluxe V/UHF True Twin Bander
FT8900 Deluxe Quad-Bander 10M-70cm



FT450
DSP-100W
HF + 6M
Base/Port



Wide Band Hand-Helds & Scanners

VX6 & VX7 Deluxe WideBand Handies
VX2R Deluxe Wide-Band Micro H'held
FT60R Mil-Spec Ext cov V/UHF
VX170 Extended coverage VHF Hand-Held
VX177 Extended coverage UHF Hand-Held
VR500 Multi-Mode Wideband Receiver
VR120D Economical V/UHF Scanner



Accessories & Options



Power Supplies, Antenna Rotators + stocks of options, spare batteries, accessories and full service support for all Yaesu/Vertex Std Equipment



DIAMOND'S PROVEN, POPULAR and PREFERRED ANTENNAS & ACCESSORIES

- X50, X300, X510M** Fibre-glass encapsulated co-linear arrays for V/UHF Base Station antennas c/w mounting hardware **from \$175**
- SGM 911 Tri-Band mobile** Deluxe Slim-line mobile for 6,2 & 70 transceivers (also perfect on 75MHz for Scanners) **only \$195**
- NR-770/790** - Ground independent $\frac{1}{2}\lambda$ on VHF, multiple $\frac{3}{4}\lambda$ on 70cm with SO239 base for optimum mobile performance **from \$65**
- NR22L** Optimum 2M DX Mobile Co-linear 2 x $\frac{3}{4}\lambda$, 2.46M long, 6.5dB gain \$ 95. **NR2C** Std $\frac{3}{4}\lambda$ Centre-loaded 2M Mobile **only \$80**
- SRH 701/771 SMA FLEXI-Whips** specifically for Broad-band freq coverage and gain on Hand-Helds or Scanners **from \$45**
- RH205 / RH799 Telescopic Whips** for DX coverage with Scanners or wide coverage Hand-Helds, BNC mounts **from \$45**
- DP-CP22L VHF Base Vertical** Omni-Directional for VHF Dxing, 2 x $\frac{3}{4}\lambda$ co-linear, 2.7M long, over 6.5dB gain on 2M **only \$120**
- DP-CP6 6 Band HF Vertical** 4.6M long, preferred limited space array including radials (1.8ML) 80 - 6M coverage **only \$1195**
- W735 Wire Dipole Kit** 80/40M trapped dipole, 26M long includes all traps, balun, wire elements, insulators and ties **only \$250**
- W80-10 Dipole Kit** covers 80,40,20,15,10M under 20M long includes all traps, balun, wire elements, insulators and ties **only \$395**
- D130 Discone** covers 25-1300MHz 1.7M long includes all mounting hardware and 15M low loss coax cabling **only \$295**
- KV5** The Latest HF-6M DX Vertical-Top performance in limited space - only 5.8M long, <3kg for simple installation **only \$875**
- BB6W** Wire Dipole equivalent of BB7V complete coverage 2-30MHz only 7M long incl all wire, balun, insulators **only \$575**
- WD330S** 10M Long BroadBand T2FD for full 2-30MHz coverage, icomplete kit incl Balun, Spreaders, insulators etc **only \$569**
- WD330** Full 25M Terminated Folded Dipole kit (as above) **\$625 PLUS OTHER HF ANTENNA OPTIONS for all situations**



DIAMOND HIGH QUALITY MOBILE EXTENSION SPEAKERS

P810A 77mm speaker with built in Amp, volume control and noise filter
Supplied with Cig Lighter DC input. Perfect for HH or Scanners **ONLY \$90**
P810 as above, but excludes built in amp, Has noise filter **ONLY \$59**
P610 55mm extrn speaker with magnetic mounting base **ONLY \$45**

NEW MK3 MODEL Bhi DSP Speaker
\$395



Diamond Professional SWR Meters

SX200 HF/VHF \$240 SX20 HF/VHF \$245
SX400 VHF/UHF \$295 SX40 V/UHF \$250



MFJ's ANTENNA TUNERS & STATION ACCESSORIES

MFJ993B Fully Auto, Totally versatile **\$749**
MFJ 971 New, deluxe 200W Tuner **\$350**
MFJ 948 Versatile tuner with ant sw **\$459**
MFJ901b Fully featured Mini-tuner **\$ 289**
Plus other models to suit specific needs



AoR Professional Receivers & Scanning Monitors



AR8200 Top of the range handheld scanner **\$1695**
AR5000 Ultimate all-mode 140k-2.6GHz **\$5535**
AR8600 Economical full coverage desktop **\$2285**
SR2000 NEW Rx with Spectrum Analyser **\$6770**

+ so much more: As ZL's largest supplier of Amateur radio equipment we maintain good stock levels of all those extra items that enable you to enjoy operating your Amateur station. **Antennas** all bands, base, mobile, portable or Hheld whips **Batteries** Spare Yaesu Nicads, NiMH or LiIon cells **Coax & Cabling** Low-loss 50Ω coax cable RG8 and RG58 **Duplexers** from Diamond & MFJ for H/V/UHF operation **Filters** Narrow CW and SSB opt filters for Yaesu rigs **Flexi-whips** Large range of wide-band ants for H'helds **Headsets** Comfortable headphones c/w boom mics **Mounts** Magnetic, mobile and pole mounts **Pre-Owned** Great selection of pre-loved equipment **TET-Emtron YAGIS & BEAMS** for HF Dxing

COM-CENTRE 400 Hillsborough Road AUCKLAND

Ph (09)627-0084 Skype:comcentre-nz POBox 163-086 Lynfield
Email: comcent@radioinfo.co.nz Website: www.radioinfo.co.nz

South Island Distributor - Seekers Radio Comms 337 Lincoln Rd Ch'ch
Ph (03) 379-1919 Email: Seekers@radioinfo.co.nz

CLUB COMMITTEE

President	Don MacDonald	ZL3DMC	03 327 7415
Vice President	Mike Kennedy	ZL3AKZ	03 313 3646
Secretary	Colin Rowe	ZL3COL	03 313 2303
Treasurer	Denise Hider	ZL3HI	03 313 4907
AREC S/Leader	Don MacDonald	ZL3DMC/ZK9EG	03 327 7415
Ragchew Editor	Tony Buckland	ZL3HAM	03 312 5352
Committee	Geoff Gillman	ZL3QR	03 313 7137
	Tony Buckland	ZL3HAM	03 312 5352
	Ron Kautz	ZL3RCK	03 312 8615
	Geoff Gooch	ZL3AL	03 920 2800
	Owen Pimm	ZL3GM	03 310 6070
	Simon Hill	ZL3SI	021 210 1786

SPECIAL INTEREST CONTACTS

AREC	Don MacDonald	ZL3DMC/ZK9EG	03 327 7415
Web Master	Ron Kautz	ZL3RCK	03 312 8615
Repeater Trustees			
6975	Mike Kennedy	ZL3AKZ	03 313 3646
	Brian Holland	ZL4WX	03 312 3344
675	Geoff Gillman	ZL3QR	03 313 7137
	Richard Smart	ZL4FZ	03 385 8355
ZL3RR	Geoff Gillman	ZL3QR	03 313 7137

CALENDAR for 2017

General Meeting - Second Thursday at 1930 (7.30pm)

Jan	Feb	Mar	Apr	May	Jun	Jul	Aug	Sep	Oct	Nov	Dec
-		9	13	11	8	13	10	14	12	9	7

Committee Meeting - Fourth Thursday at 1930 (7.30pm)

Jan	Feb	Mar	Apr	May	Jun	Jul	Aug	Sep	Oct	Nov	Dec
		23	27	25	22	27	24	28	26	23	-

Branch 68 Marketplace

FROM BRANCH 68

Coax RG58 (per metre) \$1.60

Enquiries to Geoff ZL3QR, phone (03) 313 7137

Club Monograms (cloth) \$9.00 - Club Badges (metal) \$6.50

Enquiries to Denise ZL3HI, phone (03) 313 4907

****SUBS DUE BY 30 APRIL****

Annual Subscriptions

\$40 Single, \$50 Family

Payment by instalments can be arranged with the Treasurer.

Bank details for Internet payment. Please include your Callsign / Name.

ANZ Bank: 01 0877 0105044 00

PLEASE HELP THE CLUB and PAY PROMPTLY